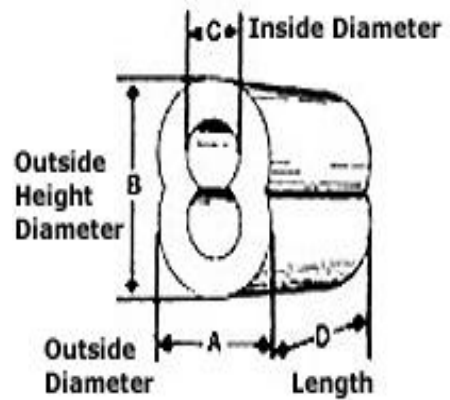


Aluminum Hourglass Sleeve

Sleeves, when properly applied, are capable of holding the rated breaking strength of the cable to which they are applied. However, to determine the exact holding strength, we recommend pull testing prior to use. This step ensures the proper selection of materials, the correct pressing procedure and an adequate margin of safety for the intended use.



Rope Size & Sleeve Size	A Outside Diameter	B Outside Height Diameter	C Inside Diameter	D Length	Approx. Wt. Per 1000 Pcs.
1/32 HG	.090	.136	.040	1/4	.16
3/64 HG	.133	.196	.071	3/8	.5
1/16 HG	.172	.250	.078	3/8	.9
5/64 HG	.219	.313	.094	3/8	1.6
3/32 HG	.278	.404	.130	1/2	3.2
1/8 HG	.343	.500	.156	5/8	6.4
5/32 HG	.375	.562	.187	11/16	8.0
3/16 HG	.440	.665	.223	1	15.6
3/16 x 1/8 Comb.	.430	.656	.160 & .230	1	16.2
7/32 HG	.500	.750	.250	1 1/16	22.2
1/4 HG	.536	.818	.290	1 1/8	25.2
9/32 HG	.562	.880	.312	1 3/16	28.3
5/16 HG	.687	1.031	.375	1 1/4	45.0
3/8 HG	.750	1.156	.438	1 7/16	60.7
7/16 HG	.937	1.437	.500	1 11/16	118.0
1/2 HG	1.062	1.625	.562	2	176.0