

Fixed Jaw Heavy Duty Beam Clamp with Shackle BCF

- Range from 1.0t to 30t
- Quick and versatile rigging point for hoisting equipment
- Shackle suspension point
- Suitable for pulling and lifting at angles across the beam
- Up to 90° side loading with no deration
- 15° cross loading with no deration
- Highly flexible – for lifting, pulling or as a semi-permanent anchor point
- Evenly distributed loads achieved through maximum jaw surface area
- Multidirectional adjusting screw spindle ensures a high clamping force to the various flange sizes within its capacity
- Beam width range 75mm to 457mm (3in to 8in)
- Operating temperature of -50°C to +50°C (-58°F to +122°F)
- 4:1 factor of safety
- These units meet and exceed all the requirements within BS EN 13155:2003+A2:2009 and AS4991



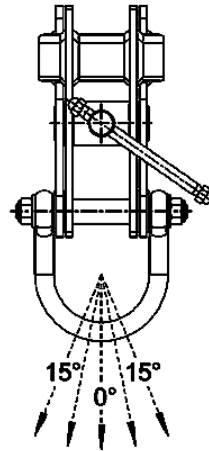
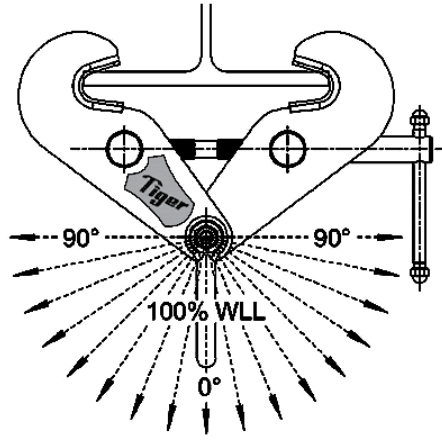
No deration up to 90° has been established for Tiger BCF model clamps and applies only for overhead beam attachments. It DOES NOT apply when used for lifting beams.

We advise that structural calculations are carried out on all beams and supporting steel work by qualified engineering departments to ensure safe operation.

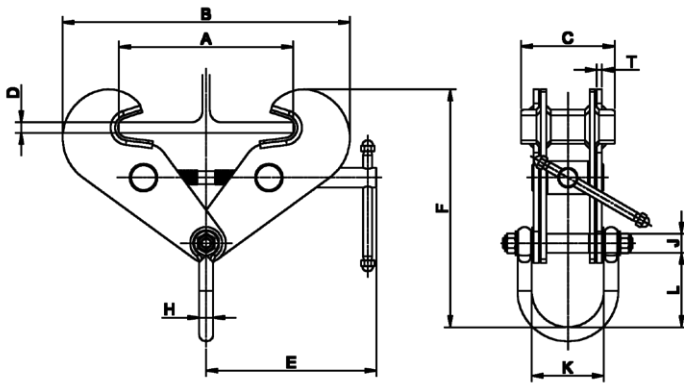
Product Code	Capacity (tons, T)	Dimensions (mm, in)												Net Weight (lb)
		A	B	C	D	E	F	H	J	K	L	M	T	
BCF-0100	1.0, 1.1	75-195, 3-8	206-321, 8-13	105, 4	20, 1	190, 7	300-266, 12-10	16, 1	21, 1	80, 3	84, 3	N/A	6, 0.2	12.1
BCF-0200	2.0, 2.2	75-195, 3-8	206-32, 8-13	105, 4	20, 1	190, 7	311-276, 12-11	18, 1	21, 1	88, 3	95, 4		8, 0.3	14.3
BCF-0300	3.0, 3.3	100-350, 4-14	223-476, 9-19	140, 6	25, 1	270	418-344, 16-14	22, 1	27, 1	110, 4	105, 4		10, 0.4	26.4
BCF-030S	3.0, 3.3	75-190, 3-7	216-325, 9-13	140, 6	20, 1	190, 7	310-271, 12-11	22, 1	27, 1	110, 4	105, 4		10, 0.4	20.9
BCF-0500	5.0, 5.5	100-310, 4-12	223-438, 9-17	140, 6	25, 1	286, 11	424-368, 17-14	27, 1	27, 1	124, 5	111, 4		12, 0.5	32.0
BCF-050S	5.0, 5.5	75-190, 3-7	216-325, 9-13	140, 6	20, 1	190, 7	315-276, 12-11	27, 1	27, 1	124, 5	111, 4		12, 0.5	24.2
BCF-1000	10.0, 11.0	120-350, 5-14	282-511, 11-20	210, 8	30, 1	314, 8	460-389, 18-15	32, 1	37, 1	83, 3	120, 5		16, 0.6	58.4
BCF-1500	15.0, 16.5	203-457, 8-18	463-742, 18-29	250, 10	36, 1	416, 16	644-558, 25-22	38, 1	44, 2	99, 4	146, 6		400, 16	20, 1
BCF-2000	20.0, 22.0	203-457, 8-18	471-766, 19-30	300, 12	50, 2	416, 16	697-609, 27-24	45, 2	49, 2	126, 5	179, 7	410, 16	25, 1	220.5
BCF-3000	30.0, 33.0	203-457, 8-18	483-800, 19-31	390, 15	63, 2	416, 16	742-648, 29-26	50, 2	57, 2	138, 5	197, 8	416, 16	20, 1	335

T=beam clamp side plate thickness

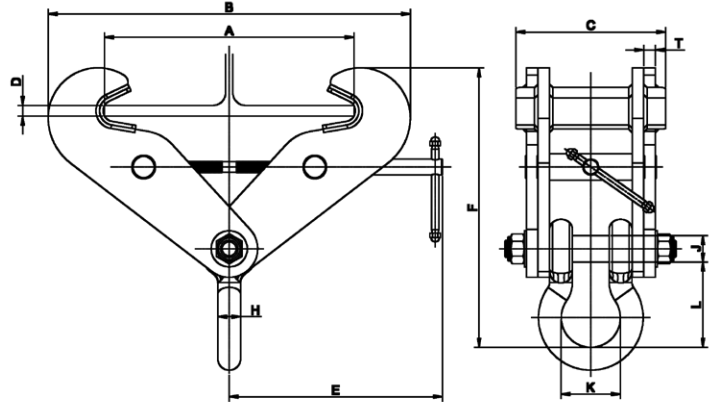
D=maximum beam flange thickness



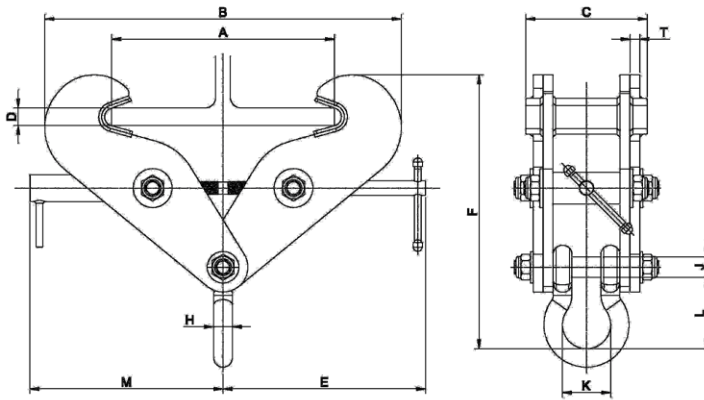
100% WLL



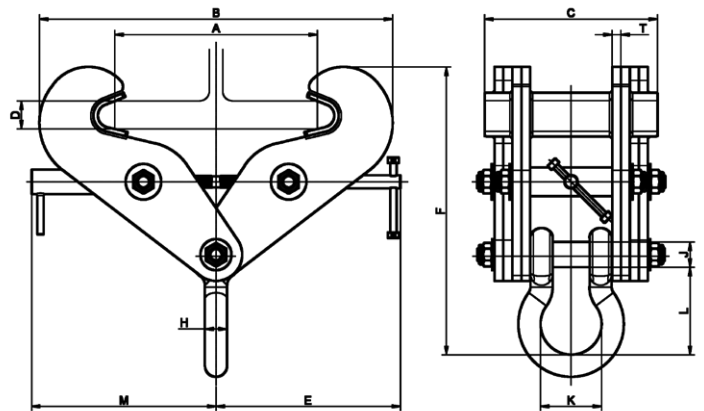
1t - 5t



10t



15t & 20t



30t