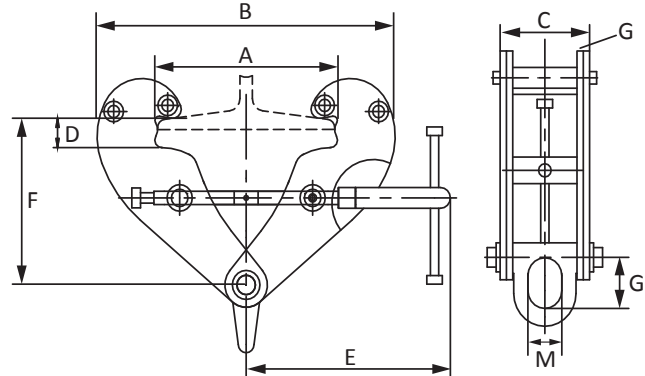


EYE BEAM CLAMP



This I-beam clamp can be used as an anchor for various applications and for any type of construction. The 'eye' shackle design assists the user in rigging, and the zinc plated clamp screw assembly allows for easy adjustment of the clamp. This clamp features metric capacities that range from 1, 2, 3, 5, and 10 tons.

SPECIFICATIONS & DIMENSIONS - EYE BEAM CLAMP						
Model		EBC-1	EBC-2	EBC-3	EBC-5	EBC-10
S.W.L.	(lbs)	2200	4400	6600	11000	22000
S.W.L.	US ton	1.1	2.2	3.3	5.5	11
Weight	(lbs)	11	12	24	28	45
Dimensions (in)	A	3.1-9.6	3.1-9.6	3.5-12.2	3.5-12.2	3.5-11.8
	B	7.2-14.7	7.2-14.7	9.4-20.4	9.4-20.4	9.4-20.4
	C	2.6	2.9	4.1	4.4	4.7
	D	0.7	0.7	1.1	1.1	1.1
	E	8.3	8.3	10.2	10.2	11
	F	4-6.4	4-6.4	5.3-8.8	5.3-8.8	6.2-9
	G	0.98	0.98	1.77	1.77	1.97
	M	1.10	1.1	1.7	1.7	2.3

* Load ratings are based upon 0 to 15° vertical lift.

* Consult a certified rigger when in doubt, for rigging and placement of the clamps

