

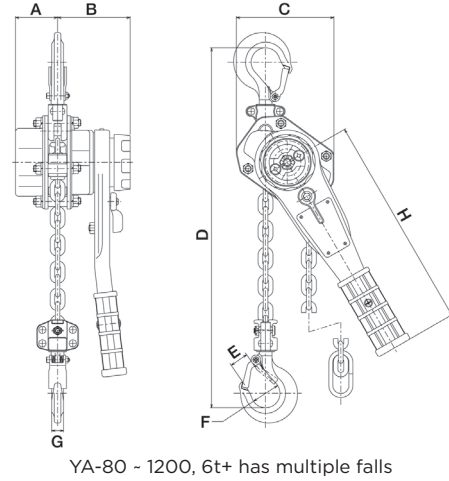
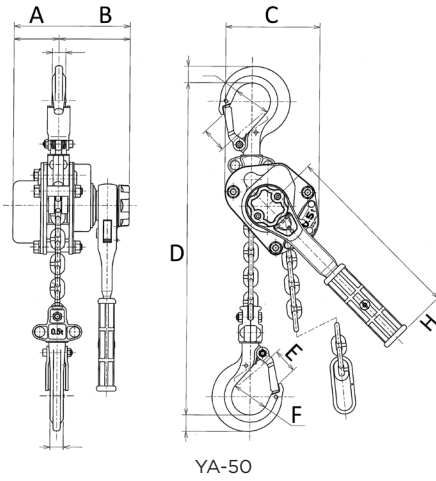


Patent and Copyright Registered

YA LEVER HOIST

- Rounded lever design for smooth operation when placed against flat surfaces
- Grade 105 galvanized load chain, which adheres to the strict German DIN 5684 standard.
- True one touch free spooling, which automatically brakes when a load is applied.
- Redesigned hooks with tip supporting safety latch
- Hoist body has an electro-deposited black finish for corrosion resistance
- Ratchet recovery of 16.5° for 0.8t-1t and 14° for 1.6t-12t
- Internal side plates have hardened steel bushings for excellent load sheave & pinion support
- Internal side plates, pinion, pawls, and pawl springs have an electro-deposited coating that helps resist corrosion
- Internal disc hub and ratchet wheel are nickel plated for corrosion resistance
- Suitable for operation within a -4° ~ 140° F temperature range





SPECIFICATIONS - YA LEVER HOIST

Model	Capacity (lbs)	Capacity (mt)	Standard Lift (ft)	Hand Effort to Lift Full Working Load (lbf)	Dia. of Load Chain (mm)	Net Weight (lbs)	Load Chain Min Breaking Load	Safety Factor
YA-50	1100	0.5	5	82	4.3	7	5.2+	5.2
YA-80	1760	0.8	5	66	5.6	13	5.2+	6.5
YA-100	2200	1	5	82	5.6	14	5.2+	5.2
YA-160	3520	1.6	5	66	7.1	20	8.3+	5.3
YA-320	7040	3.2	5	82	9	34	13.4+	4.2
YA-630	13,860	6.3	5	84	9 x 2	59	26.8+	4.3
YA-900	19,800	9	5	86	9 x 3	93	40.2+	4.5
YA-1200	26,400	12	5	88	9 x 4	159	53.6+	4.2

*Test Load is 150% of Rated Load

DIMENSIONS (IN.) - YA LEVER HOIST

Model	A	B	C	D	E	F	G	H
YA-50	1.7	2.7	3.6	9.4	0.94	1.4	0.51	7.0
YA-80	2.1	3.6	4.8	11.4	0.91	1.4	0.59	10.6
YA-100	2.1	3.6	4.8	12.3	1.1	1.7	0.63	10.6
YA-160	2.5	3.9	5.4	13.9	1.2	1.7	0.83	12.2
YA-320	3.3	4.1	7.1	16.2	1.4	2.1	1.1	12.2
YA-630	3.3	4.1	9.3	22.2	1.9	2.8	1.3	12.2
YA-900	3.3	4.1	11.8	27.1	2.9	3.4	1.88	12.2
YA-1200	3.25	4.09	14.57	31.06	2.91	3.35	1.87	12.2

* Specifications & Dimensions are subject to change without notice



YA LEVER HOIST

SUPERIOR DESIGN, ADVANCED SAFETY, LONG LASTING RELIABILITY

- Rounded lever design for smooth operation when placed against flat surfaces
- Grade 105 galvanized load chain, which adheres to the strict German DIN 5684 standard.
- True one touch free spooling, which automatically brakes when a load is applied.
- Redesigned hooks with tip supporting safety latch
- Hoist body has an electro-deposited black finish for corrosion resistance
- Ratchet recovery of 16.5° for 0.8t-1t and 14° for 1.6t-12t
- Internal side plates have hardened steel bushings for excellent load sheave & pinion support
- Internal side plates, pinion, pawls, and pawl springs have an electro-deposited coating that helps resist corrosion
- Internal disc hub and ratchet wheel are nickel plated for corrosion resistance
- Suitable for operation within a -4° ~ 140° F temperature range



INTERNAL QUALITY FEATURES OF THE ELEPHANT YA HOIST



Nickel-plated disc hub for corrosion resistance



Internal side plates, pinion, pawls, and pawl springs have a black electro-deposited coating to help resist corrosion



Nickel-plated components offer corrosion resistance against the elements

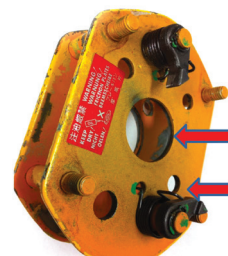
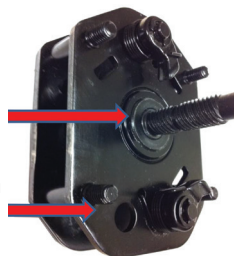


Nickel-plated ratchet wheel

MAINTENANCE ADVANTAGES

ELEPHANT LIFTING YA SERIES LEVER HOIST FEATURES:

- Hardened steel bushings for excellent load sheave & pinion support
- A special electro-deposited coating on the side plates, pinion, pawls and pawl springs that resist rusting



THE COMPETITION'S SIDE PLATE:

- About 0.25" around opening, "load bearing" surface. Heat treated.
- Powder coat finish

Elephant Lifting Product's side plates will give better service and longer life in harsh applications. The competition's side plates without bushing support, have a tendency to wear prematurely.