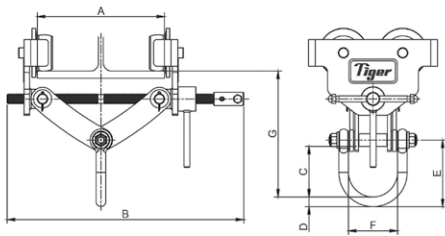
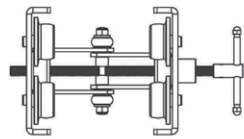


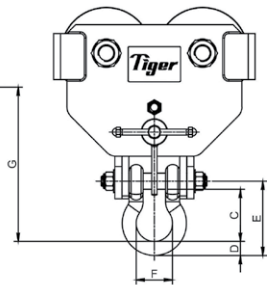
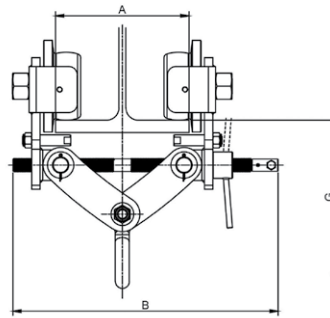
Adjustable Trolley

Plain APT

- Fitted with a screw spindle which allows easy adjustment and high clamping force to the various flange sizes within its capacity
- Designed to provide smooth and easy traversing
- The anti-drop plates design ensures extra safety, and also prevents damage to wheels when contacting end rail stoppers
- Wheels run on sealed ball bearings for smoother rolling with less effort and maintenance
- Plain Trolley Range from 1t to 10t. Geared trolley available as 1t to 10t as well.
- Operating temperature of -30°C to +50°C (-22°F to +122°F) (temperature range of -50°C to +50°C (-58°F to +122°F) available as an option)
- The 5:1 factor of safety allows for use with manual or powered hoists



1t - 6t



10t

Plain Adjustable Trolley

Product Code	Type	Capacity (tons, T)	Track width range (mm, in)	Dimensions (mm, in)						Min. curve ratio (m, ft)	Net Weight (lb)
				A	B	C	D	E	F		
APT-0100	Plain	1.0, 1.1	75-210, 3-8	391, 15	83, 3	16, 1	110, 4	81, 3	255-208, 10-8	1.0, 3.3	20.9
APT-0200	Plain	2.0, 2.2	75-210, 3-8	391, 15	94, 4	18, 1	123, 5	89, 4	276-227, 11-9	1.3, 4.3	29.8
APT-0300	Plain	3.0, 3.3	75-210, 3-8	403, 16	105, 4	22, 1	141, 6	112, 4	288-241, 11-10	1.5, 4.9	50.7
APT-0600	Plain	6.0, 6.6	105-305, 4-12	521, 21	111, 4	27, 1	151, 6	125, 5	358-290, 14-11	1.5, 4.9	78.3
APT-1000	Plain	10.0, 11.0	160-305, 6-12	606, 24	119, 5	32, 1	170, 7	83, 3	400-340, 16-13	2.7, 8.9	299.0