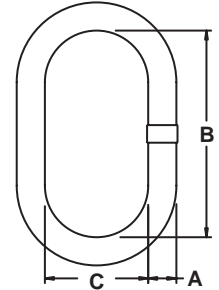


# HERC-ALLOY® Master Link & Sub-Assemblies 1000

## Master Link



- Designed to accept Herc-Alloy 1000 chain and components
- Durable gray powder coated finish
- May be used for mechanical and welded sling assemblies
- 100% proof tested

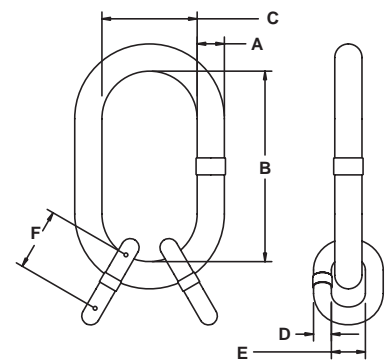


Trade Size	Working Load Limit	Product Code	Nominal Dimensions			Weight	Type and Size of Chain Sling on Which Used			
			Material Diameter A	Inside Length B	Inside Width C		SINGLE	DOUBLE	TRIPLE	QUAD
<b>Imperial</b>										
in.	lb.		in.	in.	in.	lb.	in.	in.	in.	in.
13/32	5,400	555231	0.406	3.000	1.500	0.33	7/32	7/32	--	--
1/2	8,600	555232	0.512	5.000	2.500	0.81	9/32	9/32	7/32	7/32
3/4	17,600	555235	0.750	5.500	2.750	2.08	3/8	3/8	9/32	9/32
1	30,000	555238	1.000	7.000	3.500	4.59	1/2 & 5/8	1/2	3/8	3/8
1 1/4	45,200	555240	1.250	8.750	4.375	9.31	3/4	5/8	1/2	1/2
1 1/2	70,600	555243	1.500	10.500	5.250	15.6	--	3/4	5/8	5/8
1 3/4	105,900	555246	1.750	12.000	6.000	24.4	--	--	3/4	3/4

## Sub-Assembly



- Designed for Triple and Quad branch Herc-Alloy 1000 chain slings
- Consists of an Oblong Master Link and two welded Master Coupling Links
- Durable gray powder coated finish
- May be used for mechanical or welded sling assemblies
- 100% proof tested



Trade Size	Working Load Limit at 60°	Product Code	Master Link Nom. Dims.			Intermediate Link Nom. Dims.			Weight	Type and Size of Chain Sling on Which Used	
			Material Diameter A	Inside Length B	Inside Width C	Material Diameter D	Inside Width E	Inside Length F		TRIPLE	QUAD
<b>Imperial</b>											
in.	lb.		in.	in.	in.	in.	in.	in.	lb.	in.	in.
1/2	7,000	555274	0.512	3.000	1.500	0.437	1.063	1.750	1.04	7/32	7/32
3/4	11,200	555275	0.750	5.500	2.750	0.468	0.875	1.563	2.08	9/32	9/32
1	22,900	555276	1.000	7.000	3.500	0.781	1.500	2.625	4.59	3/8	3/8
1 1/4	39,000	555277	1.250	8.750	4.375	0.906	1.750	3.125	9.16	1/2	1/2
1 1/2	58,700	555278	1.500	10.500	5.250	1.125	2.250	4.000	15.66	5/8	5/8
1 3/4	91,700	555279	1.750	12.000	6.000	1.500	2.750	5.250	24.44	3/4	3/4