

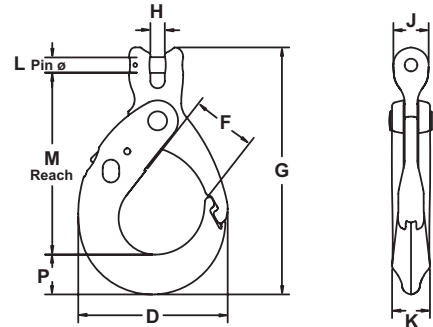
HERC-ALLOY® Latchlok 100 Hooks

1000

Clevlok Style



- High cycling, long life spring
- Factory replaceable pins
- “I” beam construction for greater strength
- 100% proof tested
- Fatigue rated to grade 100 specifications
- Durable gray powder coated finish

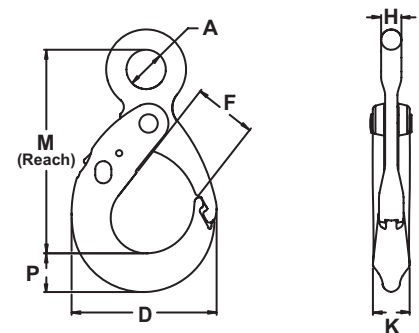


Size	Working Load Limit	Product Code	Replace Latch Kit Part #	Dimensions									Weight	
				H	M	P	D	F	J	K	G	L		
in.	lb.			in.	in.	in.	in.	in.	in.	in.	in.	in.	in.	lb.
9/32	4,300	M616005	656005	0.35	5.05	0.88	3.77	1.64	1.00	0.91	5.74	0.36	2.40	
3/8	8,800	M616010	656010	0.47	6.08	1.07	4.76	2.27	1.16	1.14	6.92	0.51	4.20	
1/2	15,000	M616015	656015	0.59	7.88	1.58	6.26	2.91	1.50	1.46	8.96	0.63	9.00	
5/8	22,600	M616020	656020	0.71	8.96	1.97	7.37	3.20	1.74	1.81	10.22	0.75	14.00	

Eye Style



- Large eye design for use with chain, wire rope and synthetic material
- Factory replaceable pins
- 100% proof tested
- Fatigue rated to grade 100 specifications
- For welded 7/32” Chain Sling use 9/32” Eye Lodelok Hook
- Durable gray powder coated finish



Size	Working Load Limit	Product Code	Replace Latch Kit Part #	Dimensions							Weight	
				A	M	P	D	F	H	K		
in.	lb.			in.	in.	in.	in.	in.	in.	in.	in.	lb.
9/32	4,300	M626005	656005	1.09	5.37	0.88	3.77	1.64	0.44	0.91	2.50	
3/8	8,800	M626010	656010	1.36	6.65	1.07	4.76	2.27	0.59	1.14	4.56	
1/2	15,000	M626015	656015	1.57	8.79	1.58	6.26	2.91	0.79	1.46	10.00	
5/8	22,600	M626020	656020	2.00	10.36	1.97	7.37	3.20	1.03	1.81	16.00	