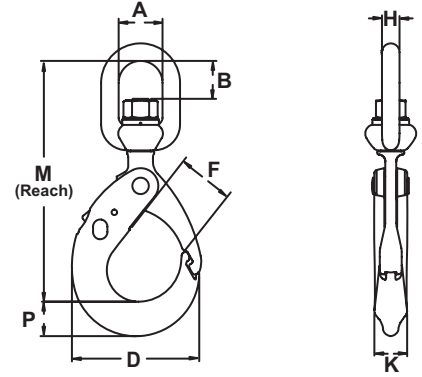


## Bearing Swivel Style



- The eye easily positions to attach to the load
- Factory replaceable pins
- 100% proof tested
- Fatigue rated to grade 100 specifications
- Certification of test available
- For welded 7/32" Chain Sling use 9/32" Swivel Lodelok Hook
- Durable gray powder coated finish

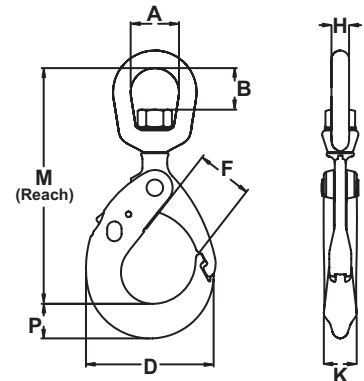


Size	Working Load Limit	Product Code	Replace Latch Kit Part #	Dimensions							Weight
				H	M	P	D	F	A	B	
in.	lb.			in.	in.	in.	in.	in.	in.	in.	lb.
9/32	4,300	M696005	656005	0.62	7.43	0.88	3.77	1.64	1.50	1.31	3.5
3/8	8,800	M696010	656010	0.77	9.11	1.07	4.76	2.27	1.78	1.62	4.8
1/2	15,000	M696015	656015	0.93	11.49	1.58	6.26	2.91	2.25	1.82	10.7
5/8	22,600	M696020	656020	1.00	13.73	1.97	7.37	3.20	2.50	2.16	17.4

## Bushing Swivel Style



- The eye easily positions to attach to the load
- Factory replaceable pins
- 100% proof tested
- Fatigue rated to grade 100 specifications
- Certification of test available
- For welded 7/32" Chain Sling use 9/32" Swivel Lodelok Hook
- Durable gray powder coated finish



Size	Working Load Limit	Product Code	Replace Latch Kit Part #	Dimensions							Weight
				H	M	P	D	F	A	B	
in.	lb.			in.	in.	in.	in.	in.	in.	in.	lb.
9/32	4,300	M676005	656005	0.62	7.17	0.88	3.77	1.64	1.50	1.33	3.5
3/8	8,800	M676010	656010	0.77	8.73	1.07	4.76	2.27	1.75	1.63	4.8
1/2	15,000	M676015	656015	0.93	11.18	1.58	6.26	2.91	2.00	1.76	10.6
5/8	22,600	M676020	656020	1.00	13.41	1.97	7.37	3.20	2.75	2.38	17.0